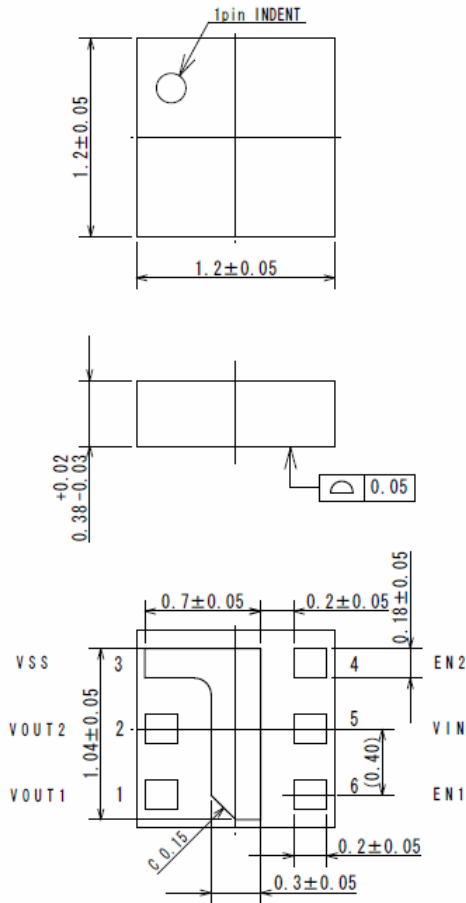


# Packaging Information / Reference Pattern Layout Dimensions

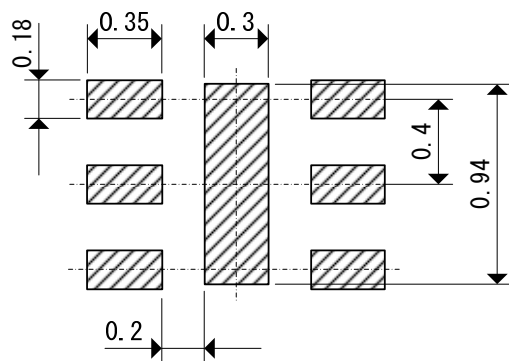
● USP-6B04

Unit: mm

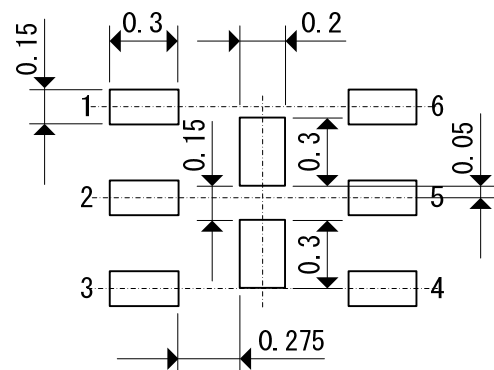
■ Packaging Information



■ Reference Pattern Layout Dimension

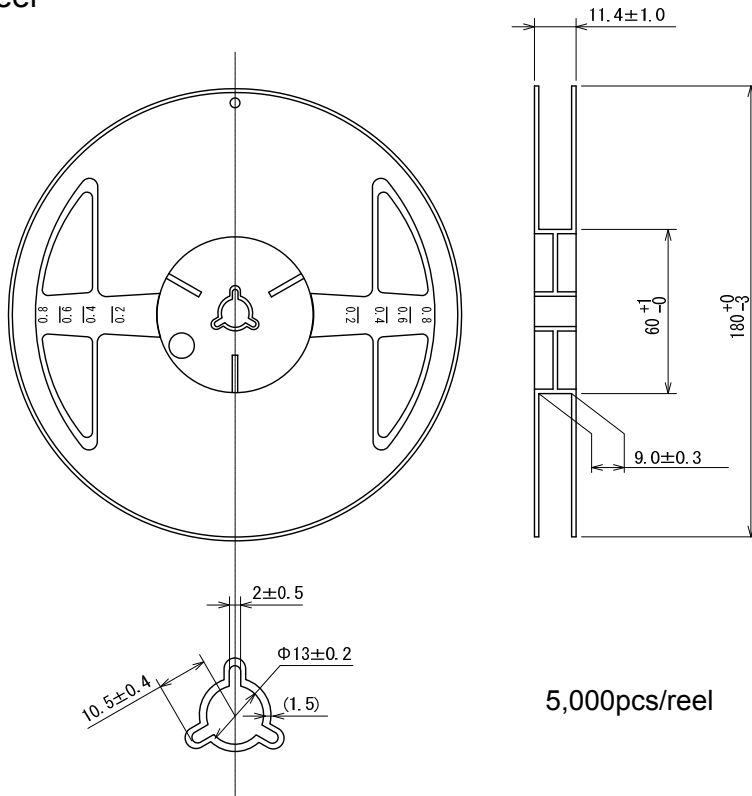


■ Reference metal mask design



# Taping Specifications

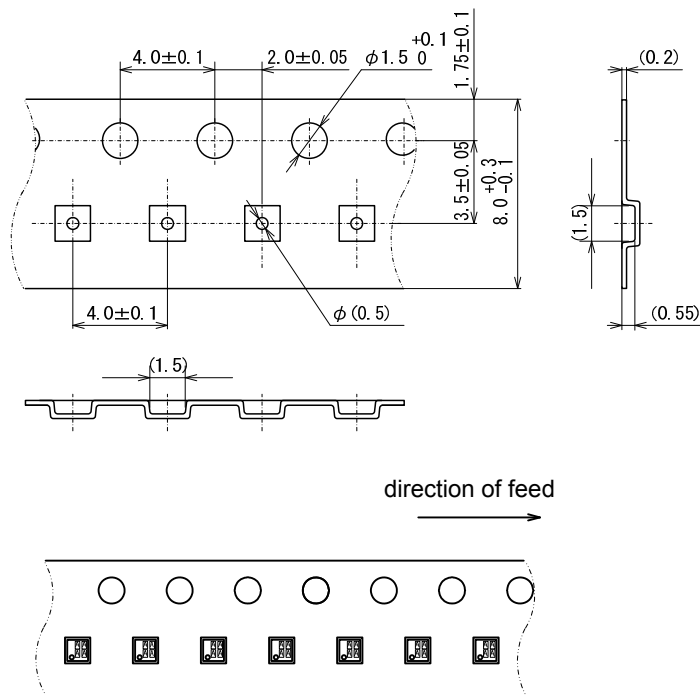
●USP-6B04 Reel



Unit: mm

5,000pcs/reel

●Taping Specifications



R Type :[Device orientation : Right]

Standard feed

**●USP-6B04 Power Dissipation**

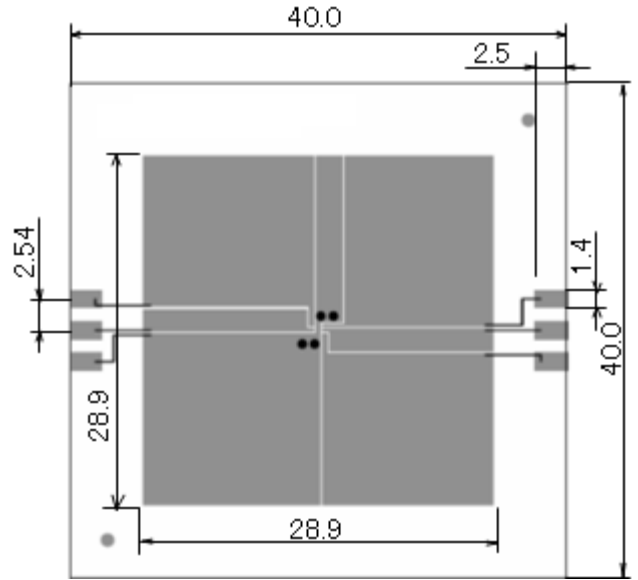
Power dissipation data for the USP-6B04 is shown in this page.

The value of power dissipation varies with the mount board conditions.

Please use this data as one of reference data taken in the described condition.

**1. Measurement Condition (Reference data)**

- Condition: Mount on a board
- Ambient: Natural convection
- Soldering: Lead (Pb) free
- Board Dimensions: 40mm×40mm (1600mm<sup>2</sup> in one side)
  - 1st Inner Metal Layer about 50%
  - 2nd Inner Metal Layer about 50%
  - 3rd Inner Metal Layer about 50%
  - 4th Inner Metal Layer about 50%
  - Each heat sink back metal is connected to the Inner layers respectively.
- Material: Glass Epoxy (FR-4)
- Thickness: 1.0 mm
- Through-hole: 4 x 0.4 Diameter



Evaluation Board (Unit: mm)

**2. Power Dissipation vs. Ambient temperature**

Board Mount ( T<sub>jmax</sub>=125°C)

Ambient Temperature (°C)	Power Dissipation Pd (mW)	Thermal Resistance (°C/W)
25	600	166.67
85	240	

