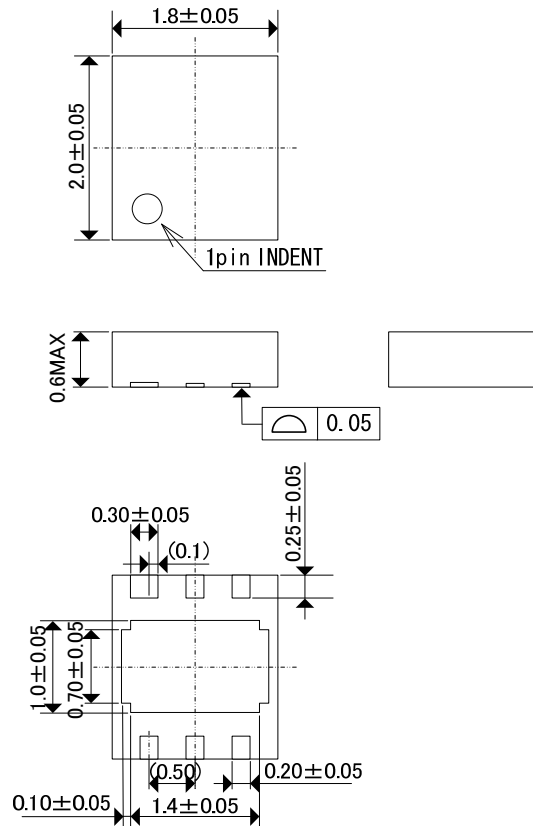


Packaging Information / Reference Pattern Layout Dimensions

● USP-6C

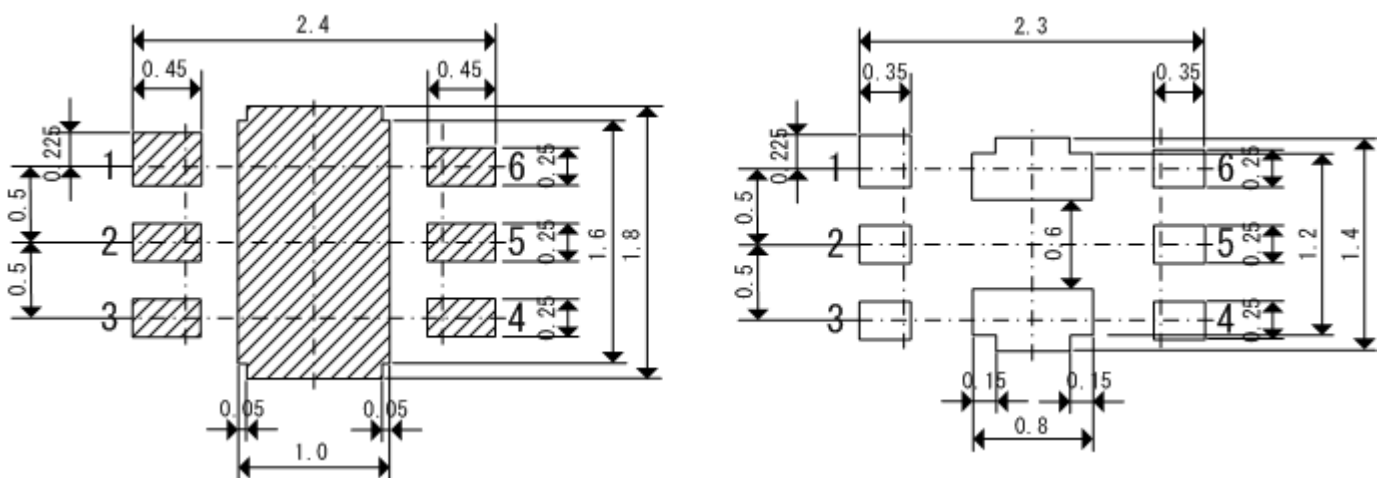
Unit: mm

■ Packaging Information



■ Reference Pattern Layout Dimension

Note : reference metal mask design

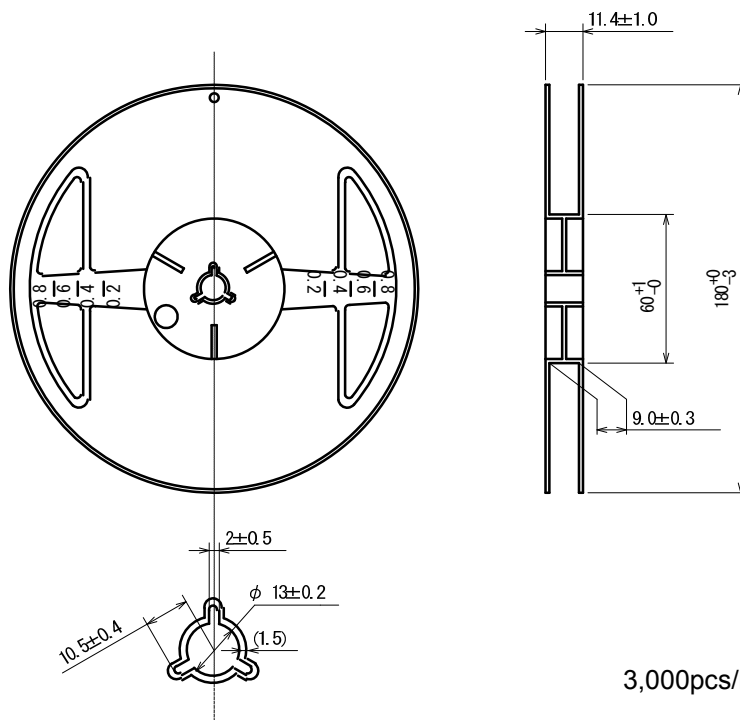


テーピング仕様 / Taping Specifications

USP-6C

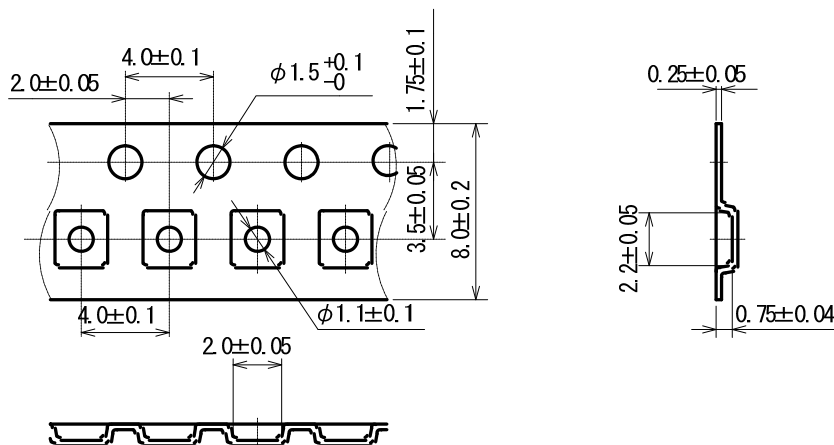
Unit: mm

●リール/Reel

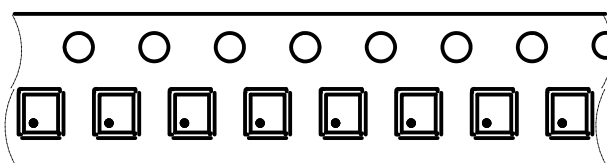


3,000pcs/reel

●テーピング仕様/Taping Specifications



direction of feed



R Type : [Device orientation : Right]

Standard feed

●USP-6C Power Dissipation

Power dissipation data for the USP-6C is shown in this page.

The value of power dissipation varies with the mount board conditions.

Please use this data as one of reference data taken in the described condition.

1. Measurement Condition (Reference data)

Condition : Mount on a board

Ambient : Natural convection

Soldering : Lead (Pb) free

Board : Dimensions 40mmx40mm (1600mm² in one side)

Copper (Cu) traces occupy 50% of the board area

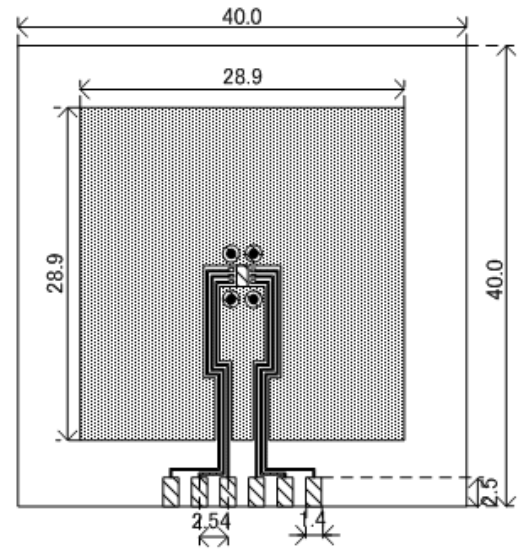
In top and back faces

Package heat-sink is tied to the copper traces

Material : Glass Epoxy (FR-4)

Thickness : 1.6mm

Through-hole : 4 x 0.8 Diameter

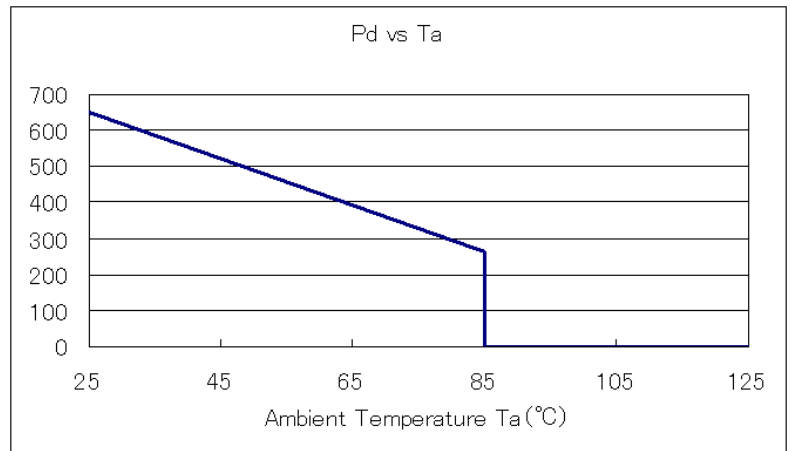


Evaluation Board (Unit: mm)

2. Power Dissipation vs. Ambient temperature (85°C)

Board Mount (Tjmax=125°C)

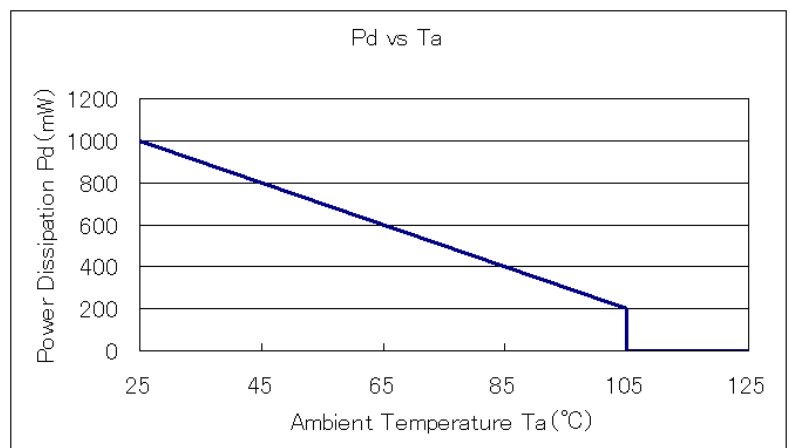
Ambient Temperature (°C)	Power Dissipation Pd (mW)	Thermal Resistance (°C/W)
25	1000	100.00
85	400	



3. Power Dissipation vs. Ambient temperature (105°C)

Board Mount (Tjmax=125°C)

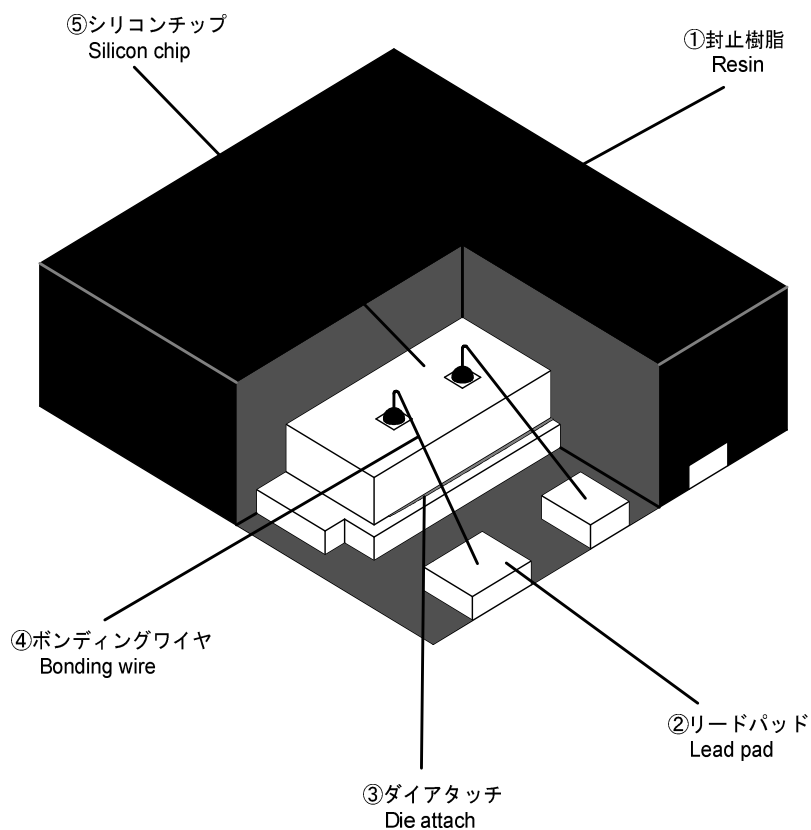
Ambient Temperature (°C)	Power Dissipation Pd (mW)	Thermal Resistance (°C/W)
25	1000	100.00
105	200	



USP-6C 構造図

USP-6C Perspective

RoHS対応品
RoHS Compliance



項目 Item	材料 Material	備考 Note
① 封止樹脂 Resin	エポキシ樹脂 Epoxy resin	難燃グレード/Flammability rating UL94V-0
② リードパッド Lead pad	ニッケル Nickel	端子側面は除く Except the side of the terminals.
端子処理 Outer pad plating	Auメッキ Gold plating	
③ ダイアタッチ Die attach	エポキシ Epoxy	
④ ボンディングワイヤ Bonding wire	Au	
⑤ シリコンチップ Silicon chip	Si	

捺印表示 Marking	レーザー Laser marking
-----------------	-----------------------