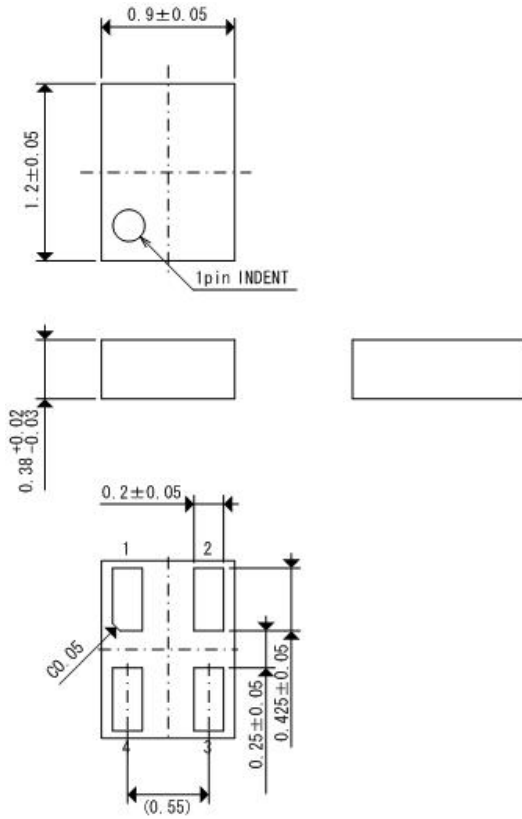


Packaging Information / Reference Pattern Layout Dimensions

●USPN-4

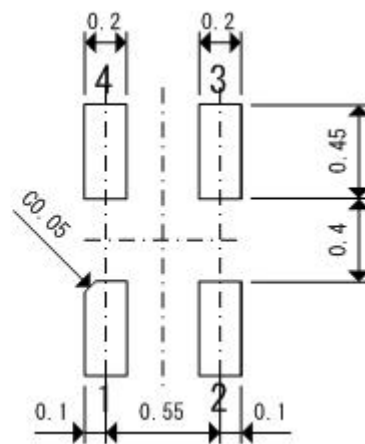
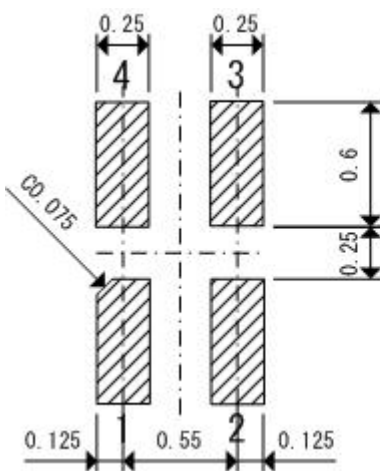
Unit: mm

■Packaging Information



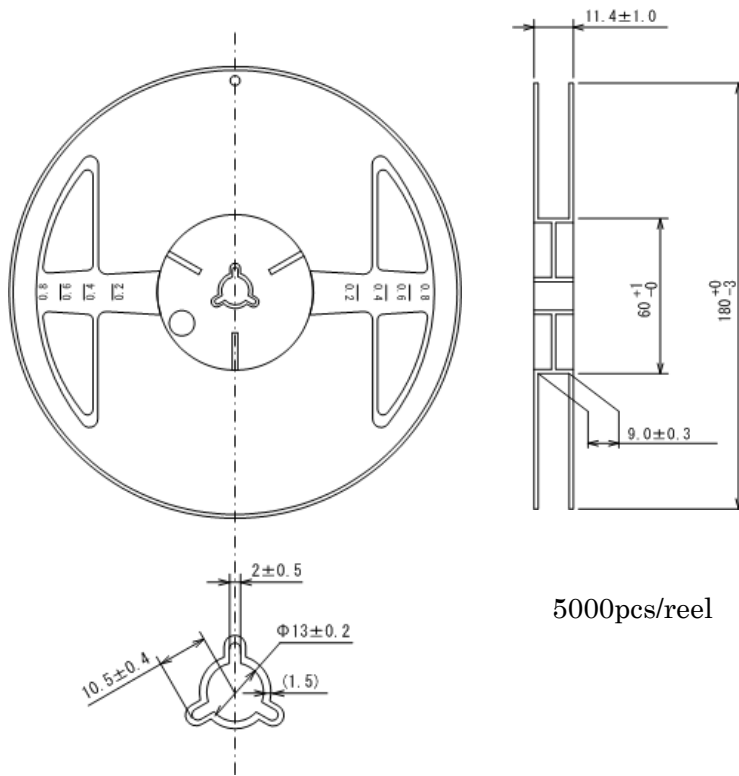
■Reference Pattern Layout Dimension

Note : reference metal mask design



Taping Specifications

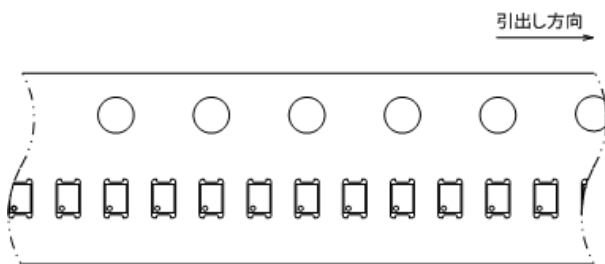
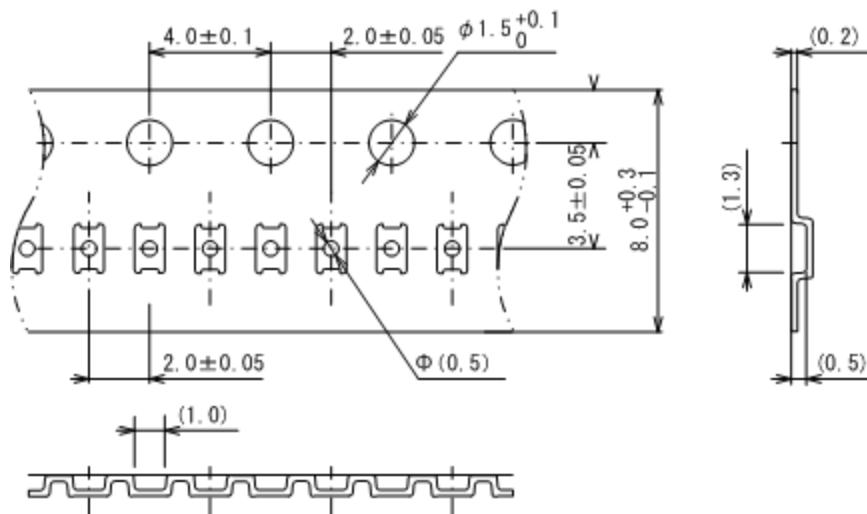
●USPN-4 Reel



Unit: mm

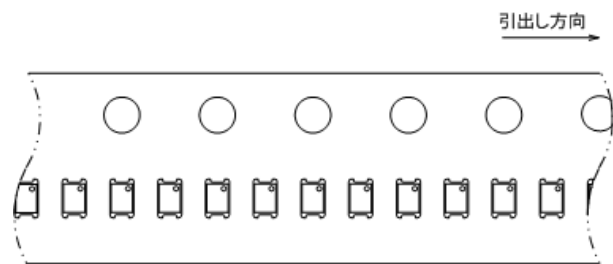
5000pcs/reel

●Taping Specifications



R Type :[Device orientation : Right]

Standard feed



L Type :[Device orientation : Left]

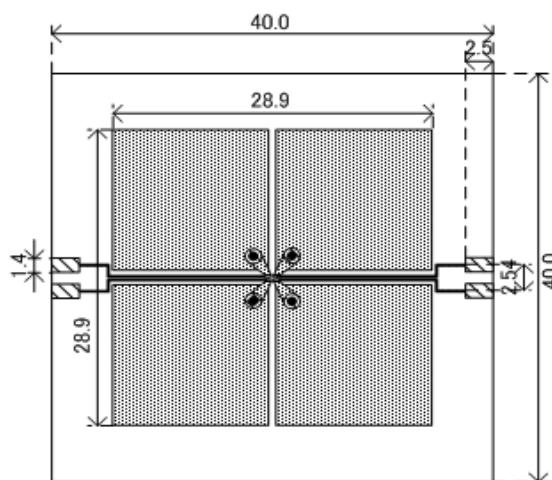
Reverse feed

● **USPN-4 Power Dissipation**

Power dissipation data for the USPN-4 is shown in this page.
 The value of power dissipation varies with the mount board conditions.
 Please use this data as one of reference data taken in the described condition.

1. Measurement Condition (Reference data)

- Condition: Mount on a board
- Ambient: Natural convection
- Soldering: Lead (Pb) free
- Board: Dimensions 40 x 40 mm (1600 mm² in one side)
 Copper (Cu) traces occupy 50% of the front and 50% of the back.
 The copper area is divided into four block,
 one block is 12.5% of total.
 The USPN-4 package has for terminals.
 Each terminal connects one copper block in the front
 and one in the back.
- Material: Glass Epoxy (FR-4)
- Thickness: 1.6 mm
- Through-hole: 4 x 0.8 Diameter

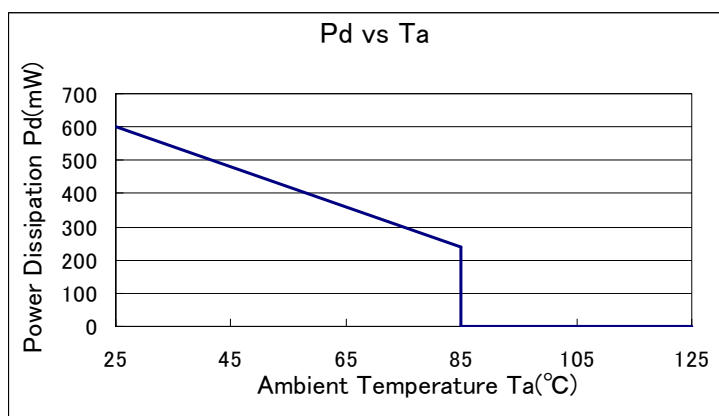


Evaluation Board (Unit: mm)

2. Power Dissipation vs. Ambient Temperature (85°C)

Board Mount (T_j max = 125°C)

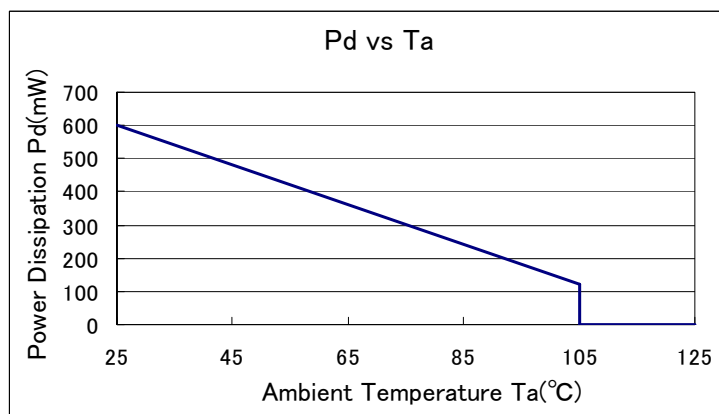
Ambient Temperature (°C)	Power Dissipation Pd (mW)	Thermal Resistance (°C/W)
25	600	166.67
85	240	



3. Power Dissipation vs. Ambient temperature (105°C)

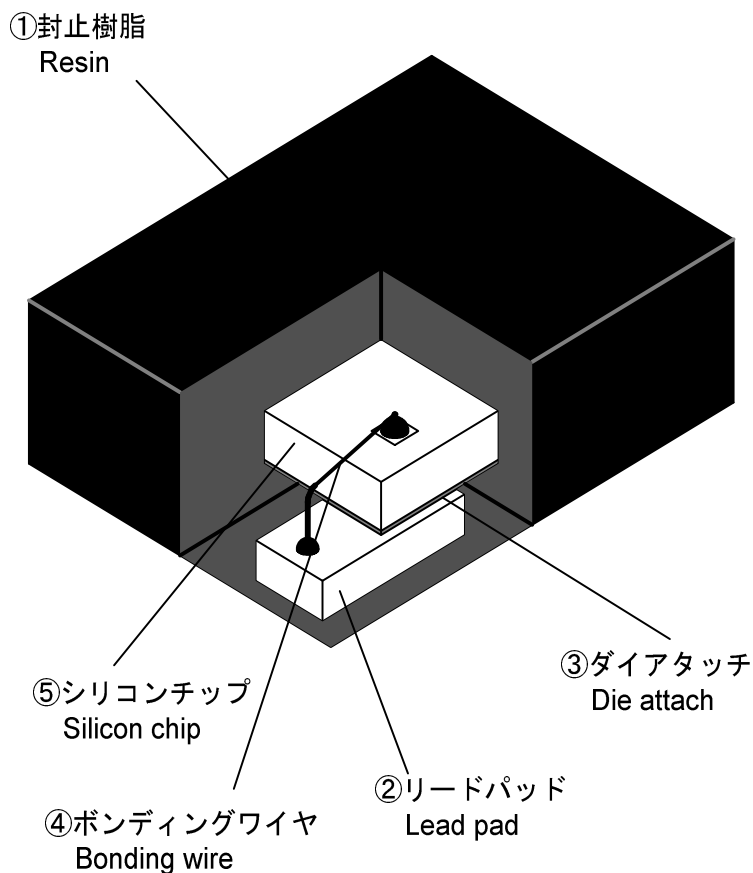
Board Mount (T_jmax=125°C)

Ambient Temperature (°C)	Power Dissipation Pd (mW)	Thermal Resistance (°C/W)
25	600	166.67
105	120	



USPN-4 構造図
USPN-4 Perspective

RoHS対応品
RoHS Compliance



項目 Item	材料 Material	備考 Note
① 封止樹脂 Resin	エポキシ樹脂 Epoxy resin	難燃グレード/Flammability rating UL94V-0
② リードパッド Lead pad	ニッケル Nickel	
	端子処理 Outer pad plating	Auメッキ Gold plating
③ ダイアタッチ Die attach	ダイアタッチフィルム Die attach film	
④ ボンディングワイヤ Bonding wire	Au	
⑤ シリコンチップ Silicon chip	Si	

捺印表示 Marking	レーザー Laser marking
-----------------	-----------------------